



Flex 8EX2 System

Radio Control Equipment Instruction Manual



Part Number: 191-50800-M000F R01
June 2019

©Copyright 2019 Magnetek Material Handling

Distributed by Ergonomic Partners
Sales@ErgonomicPartners.com
www.ErgonomicPartners.com
Tel: (314) 884-8884

Page Intentionally Left Blank

Table of Contents

1	Introduction	7
2	Radio Controlled Safety	8
2.1	Critical Installation Considerations	9
2.2	General	9
2.3	Persons Authorized to Operate Radio Controlled Cranes	9
2.4	Safety Information and Recommended Training for Radio Controlled Equipment Operators	10
2.5	Transmitter Unit	11
2.6	Pre-Operation Test	11
2.7	Batteries	11
3	General System Information	12
3.1	Transmitter	12
3.1.1	External Illustration	12
3.1.2	Internal Illustration	13
3.2	Receiver	14
3.2.1	External Illustration	14
3.2.2	Internal Illustration	15
4	Function Settings	16
4.1	Transmitter	16
4.1.1	Transmitter Firmware Version	16
4.1.2	Display Frequency Band	16
4.1.3	Transmitter Channel Settings	16
4.1.4	Remote Pairing	18
4.1.5	I-Chip	19
4.1.6	Transmitter Output Power Settings	19
4.1.7	Transmitter Inactivity Timer Settings	20
4.1.8	Zero-G Sensor Settings	20
4.1.9	Transmitter Start Function Settings	20
4.1.10	Infrared Programming	21
4.1.11	Output Feedback Settings	21
4.1.12	Pushbutton Function Settings	21
4.2	Receiver	27
4.2.1	Receiver Channel Dipswitch	27
4.2.2	Receiver Channel Settings	27
4.2.3	Receiver Channel Scanning Function	28
4.2.4	System Channels Table	29
4.2.5	Output Relay Configurations	30
4.2.6	Receiver Function Dipswitch Settings	34
4.2.7	Jumper Settings	37
4.2.8	Voltage Settings	38
4.2.9	Horn Installation	38
4.2.10	Other Function Output Relays Settings	39
5	Receiver Installation	40
5.1	Output Relay Contact Diagrams	40
5.1.1	Flex 8EX2 (dual speed model)	40
5.2	Pre-installation Precautions	40
5.3	Step-by-Step Installation	41
6	Operating Procedures	44
6.1	General Operation	44
6.2	Tandem System Operation	45
6.3	A/B Rotary Select Operation (AB Systems Only)	46

6.4	Changing Batteries	46
6.5	Battery Charging	46
6.6	System Status Light Indications	47
6.6.1	Transmitter Status Indications	47
6.6.2	Receiver Status Indications	48
6.6.3	Receiver Power Indications	48
6.6.4	Receiver COM Indications	48
7	General Specifications	49

SERVICE INFORMATION

Your New Radio Remote Control System

Thank you for your purchase of Magnetek's Flex EX2 Radio Remote Equipment Control. Magnetek has set a whole new standard in radio remote performance, dependability, and value with this unique new line of handheld transmitters.

If your product ever needs modification or service, please contact one of our representatives at the following locations:

U.S. Service Information

For questions regarding service or technical information contact:
1-314-884-8884

Headquarters:

Magnetek, Inc.
N49 W13650 Campbell Drive
Menomonee Falls, WI 53051

Telephone: 314-884-8884
Website: www.ErgonomicPartners.com
E-mail: Sales@ErgonomicPartners.com

© 2019 MAGNETEK

All rights reserved. This notice applies to all copyrighted materials included with this product, including, but not limited to, this manual and software embodied within the product. This manual is intended for the sole use of the person(s) to whom it was provided, and any unauthorized distribution of the manual or dispersal of its contents is strictly forbidden. This manual may not be reproduced in whole or in part by any means whatsoever without the expressed written permission of MAGNETEK.

PRODUCT MANUAL SAFETY INFORMATION

Magnetek, Inc. (Magnetek) offers a broad range of radio remote control products, control products and adjustable frequency drives, and industrial braking systems for overhead material handling applications. This manual has been prepared by Magnetek to provide information and recommendations for the installation, use, operation and service of Magnetek's material handling products and systems (Magnetek Products). Anyone who uses, operates, maintains, services, installs or owns Magnetek Products should know, understand and follow the instructions and safety recommendations in this manual for Magnetek Products.

The recommendations in this manual do not take precedence over any of the following requirements relating to cranes, hoists and lifting devices:

- Instructions, manuals, and safety warnings of the manufacturers of the equipment where the radio system is used,
- Plant safety rules and procedures of the employers and the owners of facilities where the Magnetek Products are being used,
- Regulations issued by the Occupational Health and Safety Administration (OSHA),
- Applicable local, state or federal codes, ordinances, standards and requirements, or
- Safety standards and practices for the overhead material handling industry.

This manual does not include or address the specific instructions and safety warnings of these manufacturers or any of the other requirements listed above. It is the responsibility of the owners, users and operators of the Magnetek Products to know, understand and follow all of these requirements. It is the responsibility of the owner of the Magnetek Products to make its employees aware of all of the above listed requirements and to make certain that all operators are properly trained. **No one should use Magnetek Products prior to becoming familiar with and being trained in these requirements.**

WARRANTY INFORMATION

FOR INFORMATION ON MAGNETEK'S PRODUCT WARRANTIES BY PRODUCT TYPE, PLEASE VISIT WWW.MAGNETEK.COM.

1 Introduction

The **Flex EX2** radio remote control systems are designed for control of industrial equipment and machinery such as overhead traveling cranes, jib cranes, gantry cranes, tower cranes, electric hoists, winches, monorails, conveyor belts, mining equipment and other material handling equipment where wireless control is preferred.

Each **Flex EX2** system consists of a transmitter handset and receiver unit. Other standard-equipped accessories include transmitter waist belt, spare transmitter power key, vinyl pouch, "AA" alkaline batteries, pushbutton labels, output cable, and instruction manual CD.

List of notable features includes:

- **Advanced Controls** – the system utilizes dual advanced microprocessor controls with 32bit CRC and Hamming Code, providing ultra-fast, safe, precise, and error-free encoding and decoding.
- **Frequency Hopping RF Transceiver** – the system automatically searches and locks onto a free and uninterrupted channel at every system start-up or during operation when encountering radio interference. The system is also capable of two-way communication between the transmitter and receiver as well as receiver-to-receiver with system status and relay output feedbacks.
- **Zero-G Sensor Embedded** – the transmitter is embedded with a Zero-G sensor to guard against any unintended control of the crane or equipment when transmitter is thrown or dropped.
- **Wireless Remote Pairing Function** – system information can be transferred wirelessly between two transmitters or between a transmitter and a receiver without the hassle of resetting the spares.
- **Reliable Pushbuttons** – the pushbuttons have gold-plated contacts and are rated for more than 2 million press cycles. The defined snap-action steps provide positive tactile feedback even through gloves.
- **Low Power Consumption** – requires only two "AA" alkaline batteries for more than 100 hours of uninterrupted operation between replacements.
- **Durable Nylon and Fiberglass Composite Enclosures** – highly resistant to breakage and deformation even in the most abusive environments. The receiver enclosures and output cables are UL94-V0 rated. The transmitter and receiver enclosures are IP66 rated.
- **Full Compliance** – all systems fully comply with the FCC Part: 15 Rules and IC-RSS-210.
- **Other Optional Accessories and Features** – transmitter belt clip, transmitter lanyard, transmitter rubber guard, buzzer, charging station, tandem function, multiple receivers function, and many others.

2 Radio Controlled Safety

WARNINGS and CAUTIONS

Throughout this document WARNING and CAUTION statements have been deliberately placed to highlight items critical to the protection of personnel and equipment.



WARNING indicates a potentially hazardous situation which, if not avoided, could result in death or serious injury.



CAUTION indicates a potentially hazardous situation which, if not avoided, could result in minor or moderate injury. It may also be used to alert against unsafe practices.

***NOTE:** A NOTE statement is used to notify people of installation, operation, programming, or maintenance information that is important, but not hazard-related.*

WARNINGS and CAUTIONS SHOULD NEVER BE DISREGARDED.

The safety rules in this section are not intended to replace any rules or regulations of any applicable local, state, or federal governing organizations. Always follow your local lockout and tagout procedure when maintaining any radio equipment. The following information is intended to be used in conjunction with other rules or regulations already in existence. It is important to read all of the safety information contained in this section before installing or operating the Radio Control System.

2.1 Critical Installation Considerations



Prior to installation and operation of this equipment, read and develop an understanding of the contents of this manual and the operation manual of the equipment or device to which this equipment will be interfaced. Failure to follow this warning could result in serious injury or death and damage to equipment.

All equipment must have a mainline contactor installed and all tracked cranes, hoists, lifting devices and similar equipment must have a brake installed. Failure to follow this warning could result in serious injury or death and damage to equipment.

An audible and/or visual warning means must be provided on all remote controlled equipment as required by code, regulation, or industry standard. These audible and/or visual warning devices must meet all governmental requirements. Failure to follow this warning could result in serious injury or death and damage to equipment.

Follow your local lockout tagout procedure before maintaining any remote controlled equipment. Always remove all electrical power from the crane, hoist, lifting device or similar equipment before attempting any installation procedures. De-energize and tagout all sources of electrical power before touch-testing any equipment. Failure to follow this warning could result in serious injury or death and damage to equipment.

The direct outputs of this product are not designed to interface directly to two state safety critical maintained functions, i.e., magnets, vacuum lifts, pumps, emergency equipment, etc. A mechanically locking intermediate relay system with separate power considerations must be provided. Failure to follow this warning could result in serious injury or death or damage to equipment.

2.2 General

Radio controlled material handling equipment operates in several directions. Cranes, hoists, lifting devices and other material handling equipment can be large and can operate at high speeds. The equipment is often operated in areas where people are working in close proximity to the material handling equipment.

The operator must exercise extreme caution at all times. Workers must constantly be alert to avoid accidents. The following recommendations have been included to indicate how careful and thoughtful actions may prevent injuries, prevent damage to equipment, or even save a life.

2.3 Persons Authorized to Operate Radio Controlled Cranes

Only properly trained persons designated by management should be permitted to operate radio controlled equipment.

Radio controlled cranes, hoists, lifting devices and other material handling equipment should not be operated by any person who cannot read or understand signs, notices and operating instructions that pertain to the equipment.

Radio controlled equipment should not be operated by any person with insufficient eyesight or hearing or by any person who may be suffering from a disorder or illness that may cause them to lose control of the equipment, is taking any medication that may cause loss of equipment control, or is under the influence of alcohol or drugs.

2.4 Safety Information and Recommended Training for Radio Controlled Equipment Operators

Anyone being trained to operate radio controlled equipment should possess as a minimum the following knowledge and skills before using the radio controlled equipment.

The operator should:

- have knowledge of hazards pertaining to equipment operation
- have knowledge of safety rules for radio controlled equipment
- have the ability to judge distance of moving objects
- know how to properly test prior to operation
- be trained in the safe operation of the radio transmitter as it pertains to the crane, hoist, lifting device or other material handling equipment being operated
- have knowledge of the use of equipment warning lights and alarms
- have knowledge of the proper storage space for a radio control transmitter when not in use
- be trained in transferring a radio control transmitter to another person
- be trained how and when to report unsafe or unusual operating conditions
- test the transmitter emergency stop and all warning devices prior to operation; testing should be done on each shift, without a load
- be thoroughly trained and knowledgeable in proper and safe operation of the crane, hoist, lifting device, or other material handling equipment that utilizes the radio control
- know how to keep the operator and other people clear of lifted loads and to avoid “pinch” points
- continuously watch and monitor status of lifted loads
- know and follow cable and hook inspection procedures
- know and follow the local lockout and tagout procedures when servicing radio controlled equipment
- know and follow all applicable operating and maintenance manuals, safety procedures, regulatory requirements, and industry standards and codes

The operator shall not:

- lift or move more than the rated load
- operate the material handling equipment if the direction of travel or function engaged does not agree with what is indicated on the controller
- use the crane, hoist or lifting device to lift, support or transport people
- lift or carry any loads over people
- operate the crane, hoist or lifting device unless all persons, including the operator, are and remain clear of the supported load and any potential pinch points
- operate a crane, hoist or lifting device when the device is not centered over the load
- operate a crane, hoist or lifting device if the chain or wire rope is not seated properly in the sprockets, drum or sheave
- operate any damaged or malfunctioning crane, hoist, lifting device or other material handling equipment
- change any settings or controls without authorization and proper training
- remove or obscure any warning or safety labels or tags
- leave any load unattended while lifted
- leave power on the radio controlled equipment when the equipment is not in operation

- operate any material handling equipment using a damaged controller because the unit may be unsafe
- operate manual motions with other than manual power
- operate radio controlled equipment when low battery indicator is on



WARNING

The operator should not attempt to repair any radio controller. If any product performance or safety concerns are observed, the equipment should immediately be taken out of service and be reported to the supervisor. Damaged and inoperable radio controller equipment should be returned to Magnetek for evaluation and repair. Failure to follow this warning could result in serious injury or death and damage to equipment.

2.5 Transmitter Unit

Transmitter switches should never be mechanically blocked on or off. When not in use, the operator should turn the transmitter off. A secure storage space should be provided for the transmitter unit, and the transmitter unit should always be placed there when not in use. This precaution will help prevent unauthorized people from operating the material handling equipment.

Spare transmitters should be stored in a secure storage space and only removed from the storage space after the current transmitter in use has been turned off, taken out of the service area and secured.

2.6 Pre-Operation Test

At the start of each work shift, or when a new operator takes control of the crane, operators should do, as a minimum, the following steps before making lifts with any crane or hoist:

Test all warning devices.

Test all direction and speed controls.

Test the transmitter emergency stop.

2.7 Batteries



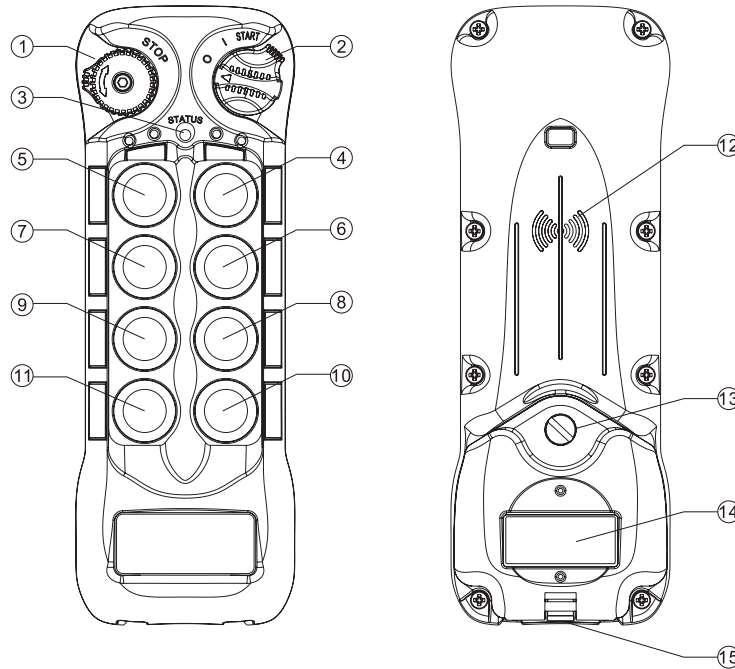
WARNING

Know and follow proper battery handling, charging and disposal procedures. Improper battery procedures can cause batteries to explode or do other serious damage. Failure to follow this warning could result in serious injury or death and damage to equipment.

3 General System Information

3.1 Transmitter

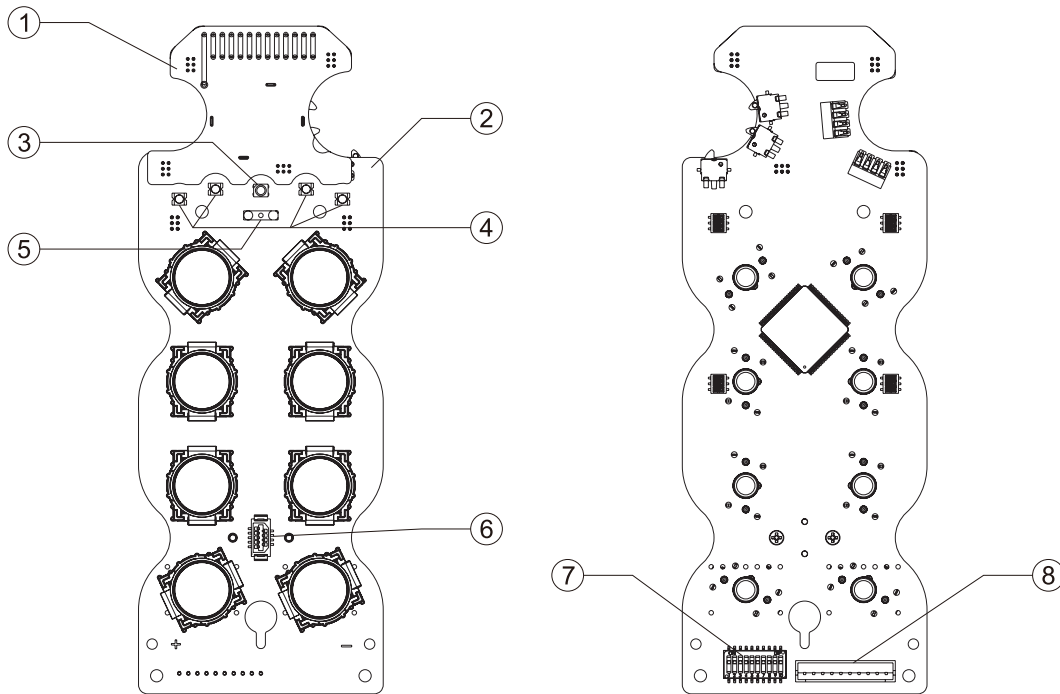
3.1.1 External Illustration



- | | | | |
|----|----------------------|-----|--|
| 1. | STOP Button | 9. | Pushbutton 6 (PB6) |
| 2. | Power Key Switch | 10. | Pushbutton 7 (PB7) |
| 3. | Status LED Indicator | 11. | Pushbutton 8 (PB8) |
| 4. | Pushbutton 1 (PB1) | 12. | Future Feature |
| 5. | Pushbutton 2 (PB2) | 13. | Battery Cover Screw |
| 6. | Pushbutton 3 (PB3) | 14. | System Information |
| 7. | Pushbutton 4 (PB4) | 15. | Lanyard and Waist Belt Attachment Slot |
| 8. | Pushbutton 5 (PB5) | | |

NOTE: Flex 8EX2-AB and 8EX2-T models have the A/B/A+B rotary switch on PB8 slot.

3.1.2 Internal Illustration



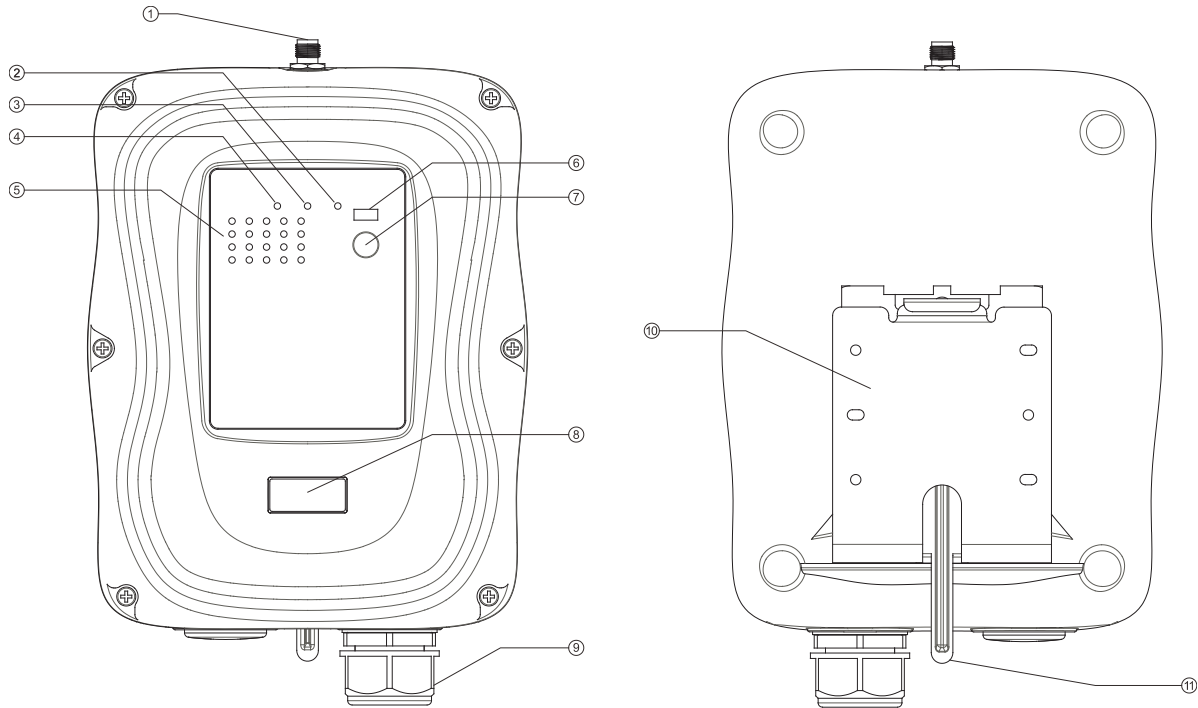
- | | | | |
|----|------------------------|----|--------------------|
| 1. | RF Transceiver Board | 5. | Infrared Sensors |
| 2. | Encoder Board | 6. | I-Chip Slot |
| 3. | Status LED Indicator | 7. | Function Dipswitch |
| 4. | A/B/C/D LED Indicators | 8. | Programming Port* |

* The programming port is only used for updating the transmitter firmware. It is not used with the IR Programmer. For more information, contact Magnetek field service.

NOTE: Flex 8EX2-AB and 8EX2-T models have the A/B/A+B rotary switch on PB8 slot.

3.2 Receiver

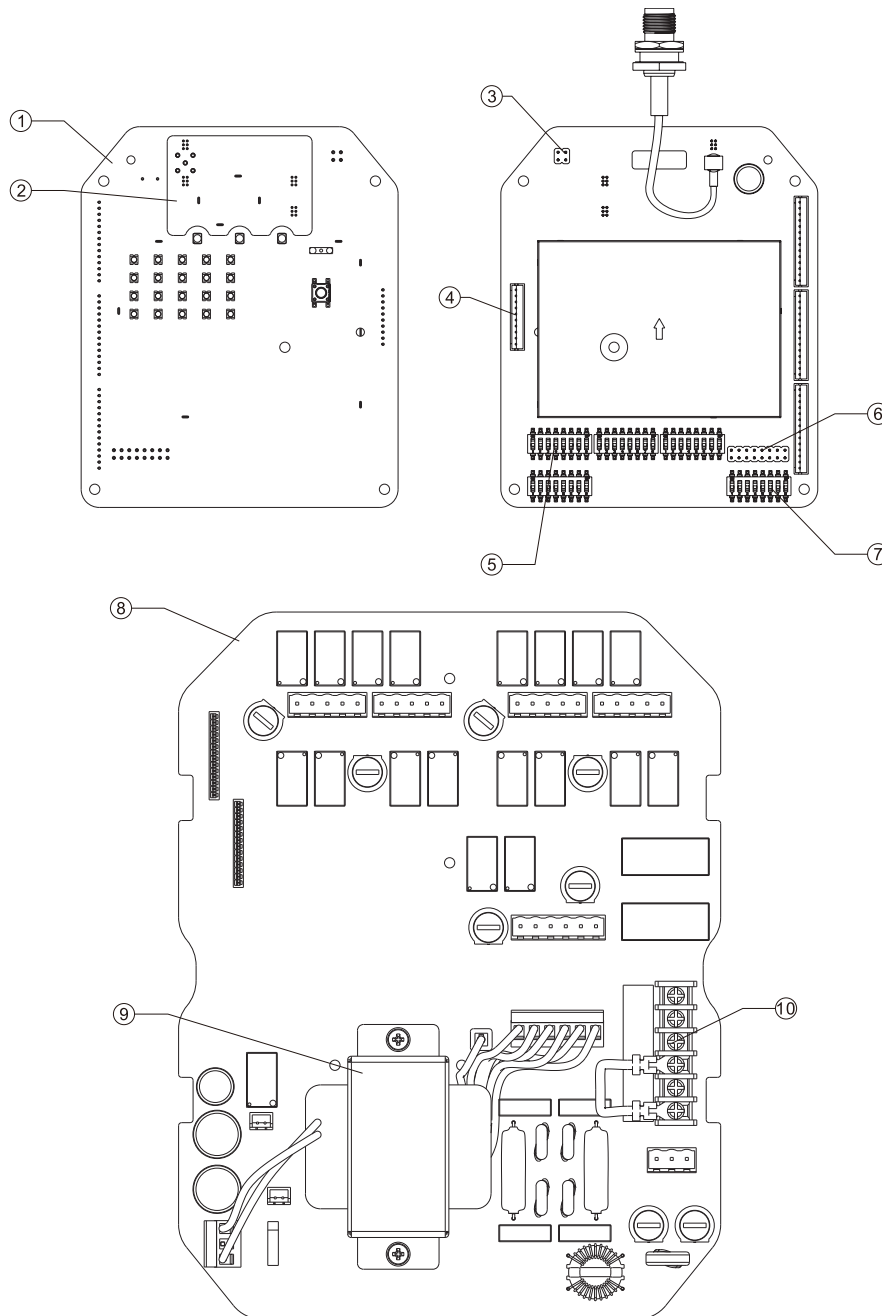
3.2.1 External Illustration



1. External RP-TNC Antenna Port
2. COM LED Indicator
3. Status LED Indicator
4. Power LED Indicator
5. Output Relay LED Indicators
6. Infrared Sensors

7. Remote Pairing Button
8. System Information
9. Cord Grip
10. Mounting Bracket
11. Mounting Bracket Release

3.2.2 Internal Illustration



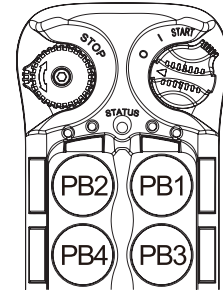
- | | | | |
|----|-------------------------|-----|----------------------------|
| 1. | Decoder Board | 6. | Function Jumpers |
| 2. | RF Transceiver Board | 7. | Channel Dipswitch |
| 3. | INT/EXT Antenna Jumpers | 8. | AC Line Filter/Relay Board |
| 4. | Programming Port | 9. | Power Transformer |
| 5. | Function Dipswitches | 10. | Voltage Selector |

4 Function Settings

4.1 Transmitter

4.1.1 Transmitter Firmware Version

1. Rotate the power switch key to the OFF (0) position.
2. With the STOP button elevated, press and hold PB1 and PB3 at the same time.
3. Rotate the power switch key to the ON (1) position.
4. Release PB1 and PB3 at the same time. The Status LED displays firmware version with red, green and orange blinks.
5. Exit Firmware Version mode by rotating the power switch key to the OFF (0) position.



4.1.2 Display Frequency Band

1. Rotate the power switch key to the OFF (0) position.
2. With the STOP button elevated, press and hold PB2 and PB4 at the same time.
3. Rotate the power switch key to the ON (1) position.
4. Release PB2 and PB4 at the same time. The system will enter Frequency Band Display mode.
5. The Status LED displays the preset transmitter frequency band with orange, green and red blinks. An orange blink represents the hundreds (+100), a green blink represents the tens (+010) and a red blink represents the units (+001). For example, 4 orange blinks followed by 3 green blinks and 3 red blinks is 433MHz.
6. Exit Frequency Band Display mode by rotating the power switch key to the OFF (0) position.

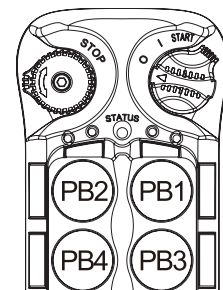
4.1.3 Transmitter Channel Settings

A. Unassigned Channel Scheme (no preset system channel)

When both transmitter and receiver are set to unassigned channel scheme (no preset channel), the system automatically searches and locks onto a free and uninterrupted channel at every transmitter start-up.

NOTE: Pitch and catch and multi-receiver configurations **MUST NOT** be set to the unassigned channel scheme.

1. Rotate the power switch key to the OFF (0) position.
2. With the STOP button elevated, press and hold PB1 and PB2 at the same time.
3. Rotate the power switch key to the ON (1) position.
4. Release PB1 and PB2 at the same time. The system will enter Channel Setting mode. The Status LED displays current channel setting with red and green blinks. A green blink represents the tens (+10) and a red blink represents the units



(+1). For example, 1 green blink followed by 5 red blinks is channel 15. Channel unassigned is represented by solid orange on the Status LED.

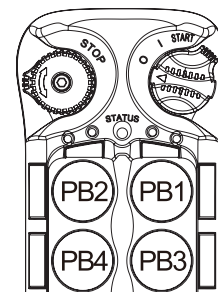
5. Change transmitter channel to “channel unassigned” by pressing PB4 one time (Status LED displays solid orange).
6. Transfer “channel unassigned” setting to the receiver by rotating and holding the power switch key at the START position until the Status LED turns to solid green. This is the indication that the transfer is complete. Turn off the transmitter power if solid green is not shown on the Status LED after more than 10 seconds. This is the indication that the transfer was incomplete. The transmitter will then revert to its previous channel setting. Make sure the receiver power is turned on and the receiver is within the operating distance during the entire process. When transmitter is set to “unassigned channel” the receiver must also be set to “unassigned channel” in order for the entire system to work.
7. Exit Channel Setting mode by rotating the power switch key to the OFF (0) position.

B. Assigned Channel Scheme (preset system channel)

Both transmitter and receiver are assigned to a matching preset channel.

NOTE: Pitch and catch and multi-receiver configurations MUST be set to the assigned channel scheme.

1. Rotate the power switch key to the OFF (0) position.
2. With the STOP button elevated, press and hold PB1 and PB2 at the same time.
3. Rotate the power switch key to the ON (1) position.
4. Release PB1 and PB2 at the same time. The system will enter Channel Setting mode. The Status LED displays current channel setting with red and green blinks. A green blink represents the tens (+10) and a red blink represents the units (+1). For example, 1 green blink followed by 5 red blinks is channel 15. If the transmitter has been configured for the “unassigned channel” the Status LED will show solid orange.
5. Change transmitter channel by pressing PB1 to increment the units (+1) and PB2 to increment the tens (+10). For example, press PB2 two times and then PB1 four times for channel 24 (Status LED blinks 2 greens and 4 reds).
6. Transfer the newly selected channel to the receiver by rotating and holding the power switch key at the START position until the Status LED turns to solid green (transfer complete). Turn off the transmitter power if solid green is not shown on the Status LED after more than 10 seconds (transfer incomplete). The transmitter will revert back to its previous channel setting. Make sure the receiver power is turned on and the receiver is within the operating distance during the entire process. **Skip step 6 if changing receiver channel is not required.**
7. Exit Channel Setting mode by rotating the power switch key to the OFF (0) position.



NOTE: When selecting a new channel, make sure each button press does not exceed 3 seconds.

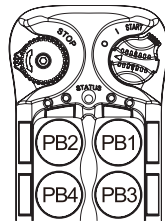
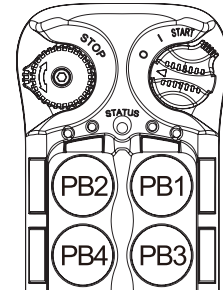
Important Note:

Step 6 is strictly required if you are intending to change the entire system channel (both transmitter and receiver). The entire system no longer works if step 6 is skipped because the transmitter and receiver channels are now different (new vs. old). In this case you would have to redo steps 1-4 and step 6 to transfer the newly selected transmitter channel to the receiver.

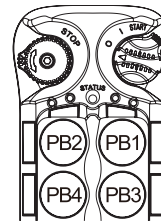
4.1.4 Remote Pairing

A. Transmitter-to-Transmitter Pairing:

1. Rotate the power switch key on both transmitters to the OFF (0) position.
2. With the STOP button elevated, press and hold PB1 and PB3 at the same time.
3. Rotate the power switch key to the ON (1) position.
4. Release PB1 and PB3 at the same time. The system will enter Remote Pairing mode. The Status LED displays firmware version with red, green and orange blinks.
5. Output data (original transmitter) by pressing and holding PB2 (Status LED off).
6. Receive data (new transmitter) by pressing and holding PB1 (Status LED blinks green).
7. When the Status LED (receiving data end) turns to solid green while both pushbuttons are still pressed down, the pairing is completed.
8. Exit Remote Pairing mode by rotating the power switch key to the OFF (0) position.



Output data – original transmitter
(press and hold PB2)



Receive data – new transmitter
(press and hold PB1)

NOTE: During remote pairing make sure the distance between the two transmitters is no more than 1 meter.

B. Receiver-to-Transmitter Pairing:

1. Rotate the power switch key on both transmitters to the OFF (0) position.
2. With the STOP button elevated, press and hold PB1 and PB3 at the same time.
3. Rotate the power switch key to the ON (1) position.
4. Release PB1 and PB3 at the same time. The Status LED will now display the firmware version with red, green and orange blinks. The transmitter is now in Remote Pairing Mode.
5. Press the Pairing Button on the receiver and PB3 on the transmitter until the Status LED on the transmitter shows solid green.

NOTE: If you have completed the above procedure and it does not work, cycle power on the receiver and try the above procedure again.



4.1.5 I-Chip

A Flex EX2 transmitter will enter a legacy mode and become backwards compatible with Flex EX receivers once an I-Chip is inserted. The serial number and channel are transferred through the I-Chip. The dipswitch is NOT used to change the channel. If the channel needs to be changed, refer to the Channel Change via Push Buttons procedure in a GEN 1 Flex EX manual. The first 8 positions on the EX2 transmitter dipswitch (positions 9 and 10 are not used) will operate the same as the function dipswitch on the Flex EX transmitter. Refer to the appropriate GEN 1 Flex EX manual for function dipswitch settings.

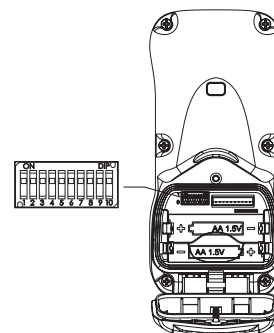
NOTE: All settings in this manual are no longer applicable once an I-Chip is inserted into a Flex EX2 transmitter. Refer to the appropriate GEN 1 Flex EX manual instead.

NOTE: A Flex EX transmitter will **NOT** work with a Flex EX2 receiver.

4.1.6 Transmitter Output Power Settings

The transmitter is set to 1mW by default as that is the maximum allowed due to FCC regulations. If a different output power is required please contact Magnetek field service.

	Dipswitch Settings	Output Power
1	000xxxxxxx	1mW



4.1.7 Transmitter Inactivity Timer Settings

After 5 minutes (default) of the transmitter pushbuttons not being pressed, the system will go into sleep mode and the receiver MAIN relays will be deactivated.

NOTE: If an A/B pushbutton function is set, then the transmitter may not go idle and, therefore, may not timeout.

	Dipswitch Settings	Time		Dipswitch Settings	Time
1	xxx000xxxx	1 minute	5	xxx100xxxx	10 minutes
2	xxx001xxxx	20 seconds	6	xxx101xxxx	30 minutes
3	xxx010xxxx	3 minutes	7	xxx110xxxx	60 minutes
4	xxx011xxxx	5 minutes	8	xxx111xxxx	Constant On (sleep mode disabled)

4.1.8 Zero-G Sensor Settings

The transmitter is embedded with a Zero-G sensor to guard against any unintended control of the crane or equipment when the transmitter experiences a Zero-G instance. By default, the sensor is disabled. When the sensor is enabled and a Zero-G instance is detected, the receiver MAIN relays will be deactivated. Please contact Magnetek field service for more details.

	Dipswitch Settings	Function
1	xxxxxxx0x	Sensor Disabled
2	xxxxxxx1x	Sensor Enabled

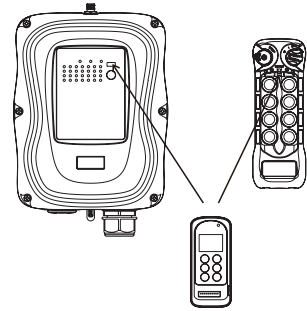
4.1.9 Transmitter Start Function Settings

When the transmitter goes idle and the receiver MAIN relays are deactivated, execute the START command (default) or press any pushbutton to reactivate the MAIN relays.

	Dipswitch Settings	Function
1	xxxxxxx0	START Reactivation
2	xxxxxxx1	Any Button Reactivation

4.1.10 Infrared Programming

Other custom functions and settings not listed in this manual can be programmed via the infrared IR programmer unit. Refer to the IR Programmer manual or contact Magnetek field service for more details.



4.1.11 Output Feedback Settings

Up to 4 assignable relay outputs can be programmed into the system and feedback to the transmitter LED indicators during operation. These settings require using the infrared IR programmer unit. Please contact Magnetek field service for more details.

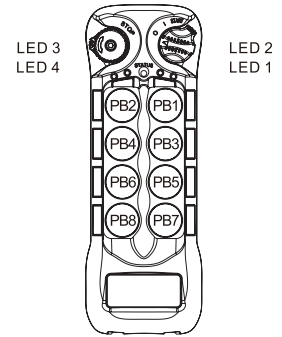
4.1.12 Pushbutton Function Settings

Only one function value can be active at a time. The following steps show the function value and the corresponding result from the transmitter's operation.

1. Rotate the power switch key to the OFF (0) position.
2. With the STOP button elevated, press and hold PB3 and PB4 at the same time.
3. Rotate the power switch key to the ON (1) position.
4. Release PB3 and PB4 at the same time. The system will enter Pushbutton Function mode.
5. The Status LED displays current pushbutton function setting with orange, green and red blinks. An orange blink represents the hundreds (+100), a green blink represents the tens (+010) and a red blink represents the units (+001). For example, **1** orange blink followed by **2** green blinks and **5** red blinks is pushbutton function no. **125**. Pushbutton function number with "0" is represented by no orange, green or red blinks. For example, **1** orange blink followed by **5** red blinks is pushbutton function no. **105**.
6. Set the pushbutton function number by pressing PB3 to increment the hundreds (+100), PB2 to increment the tens (+010), PB1 to increment the units (+001), and PB4 to reset (000 - solid orange). For example, press PB3 one time, PB2 four times, and PB1 six times for pushbutton function no. **146** (Status LED blinks **1** orange, **4** greens and **6** reds).
7. Exit Pushbutton Function mode by rotating the power switch key to the OFF (0) position.

4.1.12.1 Toggled Pushbutton with LED Indication - Standard Right/Left Pushbutton Configuration

Set pushbutton toggled function (latching output relay) with LED indications. LED 1 - 4 shown inside the shaded box illustrates which LED on the transmitter lights up when the designated pushbutton is pressed.



Function Number	Display Type	PB1	PB2	PB3	PB4
1	1 Red	Normal	Normal	Normal	LED 4
2	2 Reds	Normal	Normal	LED 3	LED 4
3	3 Reds	Normal	LED 2	LED 3	LED 4
4	4 Reds	LED 1	LED 2	LED 3	LED 4

Function Number	Display Type	PB5	PB6	PB7	PB8
5	5 Reds	Normal	Normal	Normal	LED 4
6	6 Reds	Normal	Normal	LED 3	LED 4
7	7 Reds	Normal	LED 2	LED 3	LED 4
8	8 Reds	LED 1	LED 2	LED 3	LED 4

* PB1...PB8 → Pushbutton number.

* Normal → Normal momentary contact.

* LED 1 - LED 4 → Pushbutton toggled function with designated LED indication.

4.1.12.2 A/B Pushbutton Select with LED Indication – Standard Right/Left Pushbutton Configuration

There are 5 different types of A/B selector sequence available. Choose one that is most suitable for your application. See **Section 5.1 on page 40** for output relay contact diagrams.

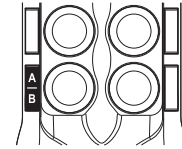
Type-A selector sequence: A → B

Type-B selector sequence: Off → A → B

Type-C selector sequence: A → B → A+B

Type-D selector sequence: Off → A → B → A+B

Type-E selector sequence: A+B → A → B



Function Number	Display Type	PB5	PB6	PB7	PB8
47	4 Greens + 7 Reds	Normal	Normal	A/1&2	Normal
48	4 Greens + 8 Reds	Normal	Normal	B/1&2	Normal
49	4 Greens + 9 Reds	Normal	Normal	C/1&2	Normal
50	5 Greens	Normal	Normal	D/1&2	Normal
51	5 Greens + 1 Red	Normal	Normal	Normal	A/3&4
52	5 Greens + 2 Reds	Normal	Normal	Normal	B/3&4
53	5 Greens + 3 Reds	Normal	Normal	Normal	C/3&4
54	5 Greens + 4 Reds	Normal	Normal	Normal	D/3&4
55	5 Greens + 5 Reds	Normal	Normal	A/1&2	A/3&4
56	5 Greens + 6 Reds	Normal	Normal	A/1&2	B/3&4
57	5 Greens + 7 Reds	Normal	Normal	A/1&2	C/3&4
58	5 Greens + 8 Reds	Normal	Normal	A/1&2	D/3&4
59	5 Greens + 9 Reds	Normal	Normal	B/1&2	B/3&4
60	6 Greens	Normal	Normal	B/1&2	C/3&4
61	6 Greens + 1 Red	Normal	Normal	B/1&2	D/3&4
62	6 Greens + 2 Reds	Normal	Normal	C/1&2	C/3&4
63	6 Greens + 3 Reds	Normal	Normal	C/1&2	D/3&4
64	6 Greens + 4 Reds	Normal	Normal	D/1&2	D/3&4
262	2 Orange + 6 Greens + 2 Reds	Normal	Normal	E/1&2	Normal
263	2 Orange + 6 Greens + 3 Reds	Normal	Normal	Normal	E/3&4

Function Number	Display Type	PB5	PB6	PB7	PB8
264	2 Orange + 6 Greens + 4 Reds	Normal	Normal	E/1&2	E/3&4
265	2 Orange + 6 Greens + 5 Reds	Normal	Normal	E/1&2	B/3&4
266	2 Orange + 6 Greens + 6 Reds	Normal	Normal	E/1&2	C/3&4
267	2 Orange + 6 Greens + 7 Reds	Normal	Normal	E/1&2	D/3&4

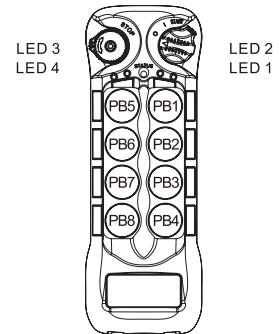
* PB5...PB8 → Pushbutton number.

* Normal → Normal momentary contact.

* A/1&2 - E/3&4 → A/B pushbutton select function with designated LED indication.

4.1.12.3 Toggled Pushbutton with LED Indication – Inline Top/Bottom Pushbutton Configuration

Set pushbutton toggled function (latching output relay) with LED indications. LED 1 - 4 shown inside the shaded box illustrates which LED on the transmitter lights up when the designated pushbutton is pressed. **See Section 4.2.7 on page 37** for jumper settings.



Function Number	Display Type	PB1	PB2	PB3	PB4
1	1 Red	Normal	Normal	Normal	LED 4
17	1 Green + 7 Reds	Normal	Normal	LED 3	LED 4
18	1 Green + 8 Reds	Normal	LED 2	LED 3	LED 4
19	1 Green + 9 Reds	LED 1	LED 2	LED 3	LED 4

Function Number	Display Type	PB5	PB6	PB7	PB8
5	5 Reds	Normal	Normal	Normal	LED 4
20	2 Greens	Normal	Normal	LED 3	LED 4
21	2 Greens + 1 Red	Normal	LED 2	LED 3	LED 4
22	2 Greens + 2 Reds	LED 1	LED 2	LED 3	LED 4

* PB1...PB8 → Pushbutton number.

* Normal → Normal momentary contact.

* LED 1 - LED 4 → Pushbutton toggled function with designated LED indication.

4.1.12.4 A/B Pushbutton Select with LED Indication – Inline Top/Bottom Pushbutton Configuration

There are 5 different types of A/B selector sequence available. Choose one that is most suitable for your application. See **Section 4.2.7 on page 37** for jumper settings and **Section 5.1 on page 40** for output relay contact diagrams.

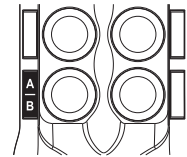
Type-A selector sequence: A → B

Type-B selector sequence: Off → A → B

Type-C selector sequence: A → B → A+B

Type-D selector sequence: Off → A → B → A+B

Type-E selector sequence: A+B → A → B



Function Number	Display Type	PB5	PB6	PB7	PB8
115	1 Orange + 1 Green + 5 Reds	Normal	Normal	A/1&2	Normal
116	1 Orange + 1 Green + 6 Reds	Normal	Normal	B/1&2	Normal
117	1 Orange + 1 Green + 7 Reds	Normal	Normal	C/1&2	Normal
118	1 Orange + 1 Green + 8 Reds	Normal	Normal	D/1&2	Normal
51	5 Greens + 1 Red	Normal	Normal	Normal	A/3&4
52	5 Greens + 2 Reds	Normal	Normal	Normal	B/3&4
53	5 Greens + 3 Reds	Normal	Normal	Normal	C/3&4
54	5 Greens + 4 Reds	Normal	Normal	Normal	D/3&4

Function Number	Display Type	PB5	PB6	PB7	PB8
119	1 Orange + 1 Green + 9 Reds	Normal	Normal	A/1&2	A/3&4
120	1 Orange + 2 Greens	Normal	Normal	A/1&2	B/3&4
121	1 Orange + 2 Greens + 1 Red	Normal	Normal	A/1&2	C/3&4
122	1 Orange + 2 Greens + 2 Reds	Normal	Normal	A/1&2	D/3&4
123	1 Orange + 2 Greens + 3 Reds	Normal	Normal	B/1&2	B/3&4
124	1 Orange + 2 Greens + 4 Reds	Normal	Normal	B/1&2	C/3&4
125	1 Orange + 2 Greens + 5 Reds	Normal	Normal	B/1&2	D/3&4
126	1 Orange + 2 Greens + 6 Reds	Normal	Normal	C/1&2	C/3&4
127	1 Orange + 2 Greens + 7 Reds	Normal	Normal	C/1&2	D/3&4
128	1 Orange + 2 Greens + 8 Reds	Normal	Normal	D/1&2	D/3&4
285	2 Orange + 8 Greens + 6 Reds	Normal	Normal	E/1&2	Normal
263	2 Orange + 6 Greens + 3 Reds	Normal	Normal	Normal	E/3&4
286	2 Orange + 8 Greens + 6 Reds	Normal	Normal	E/1&2	E/3&4
287	2 Orange + 8 Greens + 7 Reds	Normal	Normal	E/1&2	B/3&4
288	2 Orange + 8 Greens + 8 Reds	Normal	Normal	E/1&2	C/3&4
289	2 Orange + 8 Greens + 9 Reds	Normal	Normal	E/1&2	D/3&4

* PB5...PB8 → Pushbutton number.

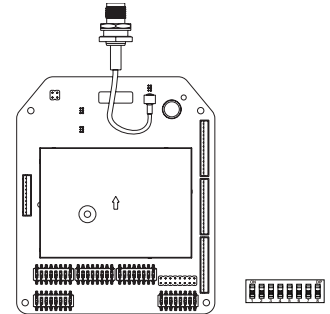
* Normal → Normal momentary contact.

* A/1&2 - E/3&4 → A/B pushbutton select function with designated LED indication.

4.2 Receiver

4.2.1 Receiver Channel Dipswitch

The Flex EX2 receiver has its decoder board mounted to the inside of the front half of the enclosure. The dipswitch on the bottom right of the decoder board label “S7” is the channel dipswitch (pictured to the right).



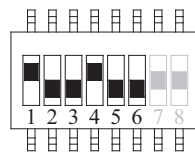
4.2.2 Receiver Channel Settings

Set the receiver channel by configuring the channel dipswitch located on the decoder board. Only the first 6 dip positions are used for channel selection. The system channels table in **Section 4.2.4 on page 29** illustrates which dipswitch setting corresponds to which channel.

If the receiver channel is altered, make sure to change the transmitter channel as well. The channel on both the transmitter and the receiver must be identical in order for the system to work (see **Section 4.1.3 on page 17**, part B).

When set to all zeros (000000), the receiver utilizes the unassigned channel scheme (see **Section 4.1.3 on page 16**, part A).

Example:

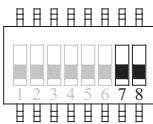
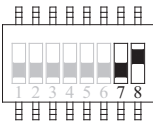
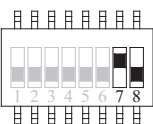
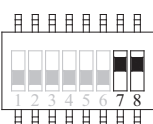


Top position → “1”
Bottom position → “0”

*The above dipswitch setting “1 0 0 1 0 0” corresponds to “channel 36” in the system channels table in **Section 4.2.4 on page 29**.*

4.2.3 Receiver Channel Scanning Function

Receiver channel scanning function is applicable only when a preset channel is assigned to the system (see **Section 4.1.3 on page 16**, part B).

- (1)  → "00" manufacturer preset (channel X)*
- (2)  → "01" scans 2 channels (channel X and channel X+1)
- (3)  → "10" scans 3 channels (channel X... channel X+2)
- (4)  → "11" scans 4 channels (channel X... channel X+3)**

* Channel X → channel set on the Channel dipswitch.

** Contact Magnetek field service if your application requires scanning more than 4 channels.

Example: If the first 6 dipswitch positions are set to channel 01 (000001), when set to two-channel scanning (type 2 above) the receiver will scan only channel 01 and 02.

4.2.4 System Channels Table

The Flex EX2 system makes use of 124 channels. The first set of 62 channels comprises the lower-end channels that can be selected through dipswitch configuration in the receiver and pushbutton configuration in the transmitter.

There is a second set of 62 channels that comprises the upper-end channels that cannot be selected through dipswitch or pushbutton configurations. They are only used when the lower-end channel experiences interference. In this case, the system will automatically switch to its accompanying upper-end channel. If both the lower- and upper-end channel experience interference, then it is recommended that the transmitter be power-cycled to reestablish a clean channel again. The upper-end channels are listed below for the purpose of frequency management only.

CH	Dipswitch Setting	Channel Frequency (MHz)	CH	Dipswitch Setting	Channel Frequency (MHz)	Upper End Channel Frequency (MHz)	
01	000001	433.050	32	100000	434.600	436.550	438.100
02	000010	433.100	33	100001	434.650	436.600	438.150
03	000011	433.150	34	100010	434.700	436.650	438.200
04	000100	433.200	35	100011	434.750	436.700	438.250
05	000101	433.250	36	100100	434.800	436.750	438.300
06	000110	433.300	37	100101	434.850	436.800	438.350
07	000111	433.350	38	100110	434.900	436.850	438.400
08	001000	433.400	39	100111	434.950	436.900	438.450
09	001001	433.450	40	101000	435.000	436.950	438.500
10	001010	433.500	41	101001	435.050	437.000	438.550
11	001011	433.550	42	101010	435.100	437.050	438.600
12	001100	433.600	43	101011	435.150	437.100	438.650
13	001101	433.650	44	101100	435.200	437.150	438.700
14	001110	433.700	45	101101	435.250	437.200	438.750
15	001111	433.750	46	101110	435.300	437.250	438.800
16	010000	433.800	47	101111	435.350	437.300	438.850
17	010001	433.850	48	110000	435.400	437.350	438.900
18	010010	433.900	49	110001	435.450	437.400	438.950
19	010011	433.950	50	110010	435.500	437.450	439.000
20	010100	434.000	51	110011	435.550	437.500	439.050
21	010101	434.050	52	110100	435.600	437.550	439.100
22	010110	434.100	53	110101	435.650	437.600	439.150
23	010111	434.150	54	110110	435.700	437.650	439.200
24	011000	434.200	55	110111	435.750	437.700	439.250
25	011001	434.250	56	111000	435.800	437.750	439.300
26	011010	434.300	57	111001	435.850	437.800	439.350
27	011011	434.350	58	111010	435.900	437.850	439.400
28	011100	434.400	59	111011	435.950	437.900	439.450
29	011101	434.450	60	111100	436.000	437.950	439.500
30	011110	434.500	61	111101	436.050	438.000	439.550
31	011111	434.550	62	111110	436.100	438.050	439.600

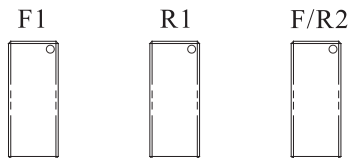
NOTE: Channel unassigned is represented by “000000” dipswitch setting in the receiver. See Section 4.1.3 on page 16, part A unassigned channel scheme.

4.2.5 Output Relay Configurations

4.2.5.1 Output Relay Types

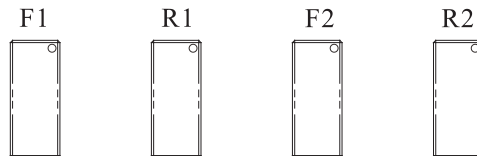
1. **3 output relays per motion – shared 2nd speed output relay**

Output relays with Forward 1st speed (F1), Reverse 1st speed (R1) and Forward/Reverse 2nd speed (F/R2). Forward and Reverse 2nd speed (F/R2) share the same output relay.



2. **4 output relays per motion – separate 1st and 2nd speed output relays**

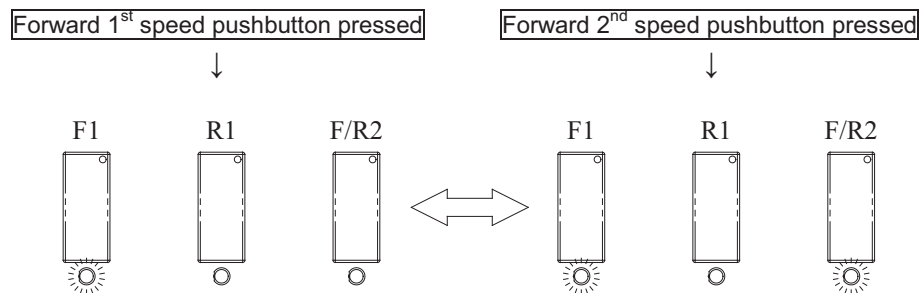
Output relays with Forward 1st speed (F1), Reverse 1st speed (R1), Forward 2nd speed (F2) and Reverse 2nd speed (R2). Forward and Reverse 2nd speed are separate output relays.



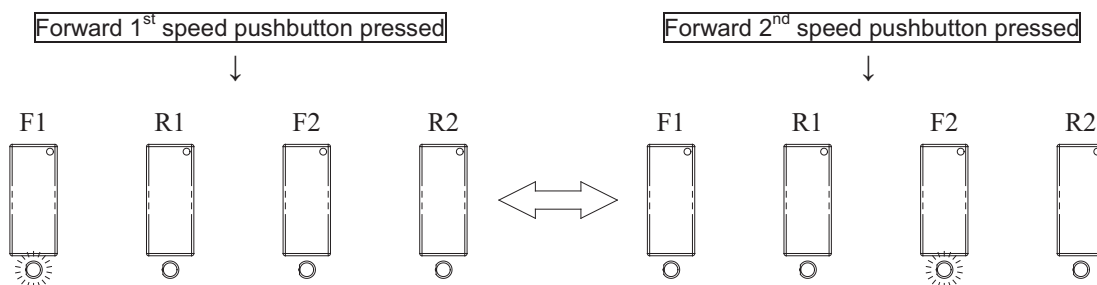
4.2.5.2 Output Relay Actions at 2nd Speed (Flex 8EX2 only)

1. **3 output relays configuration with Closed/Closed contact at 2nd speed**

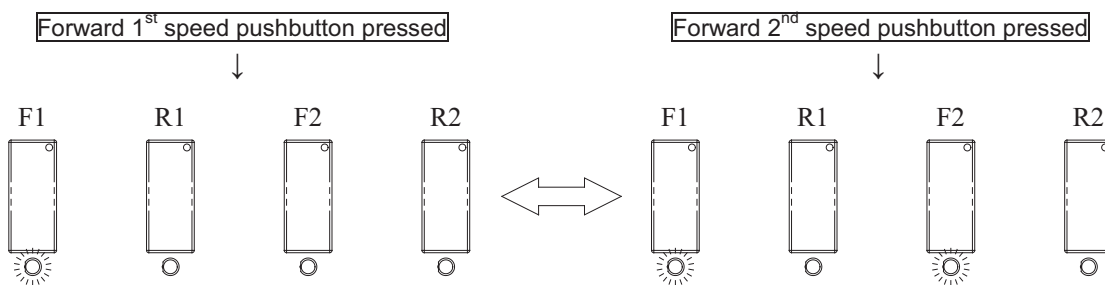
F1 (or R1) output relay closed at 1st speed and F1 + F/R2 (or R1 + F/R2) output relays closed at 2nd speed. **See Section 4.2.6.1 on page 34** on how to set to this function.



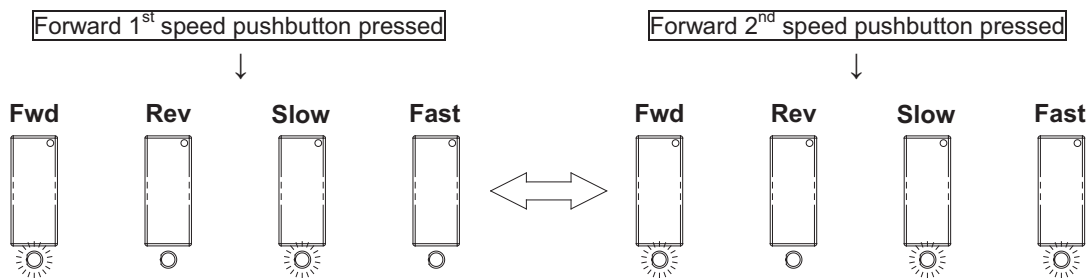
- 2. 4 output relays configuration with Opened/Closed contact at 2nd speed**
 F1 (or R1) output relay closed at 1st speed and F2 (or R2) output relay closed at 2nd speed. **See Section 4.2.6.1 on page 34** on how to set to this function.



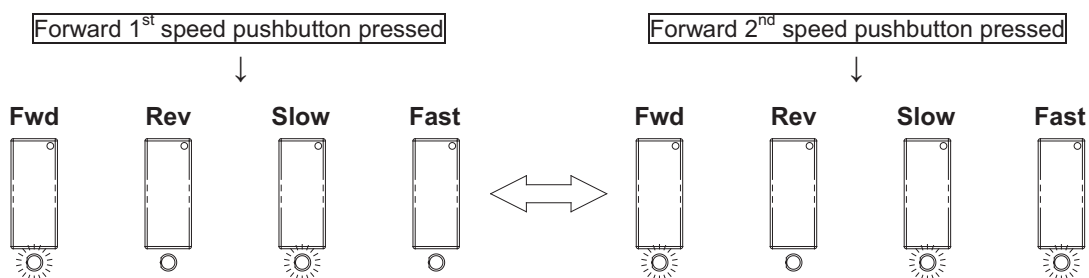
- 3. 4 output relays configuration with Closed/Closed contact at 2nd speed**
 F1 (or R1) output relay closed at 1st speed and F1 + F2 (or R1 + R2) output relays closed at 2nd speed. **See Section 4.2.6.1 on page 34** on how to set to this function.



- 4. 4 output relays configuration with Slow and Fast output relays (Type A)**
 Fwd (or Rev) + Slow output relays closed at 1st speed and Fwd (or Rev) + Fast output relays closed at 2nd speed. **See Section 4.2.6.1 on page 34** on how to set to this function.

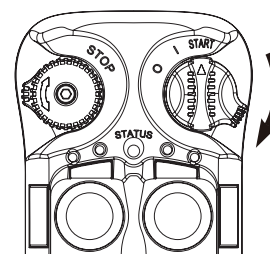


5. **4 output relays configuration with Slow and Fast output relays (Type B)**
 Fwd + Slow (or Rev + Slow) output relays closed at 1st speed and Fwd + Slow + Fast (or Rev + Slow + Fast) output relays closed at 2nd speed. **See Section 4.2.6.1 on page 34** on how to set to this function.



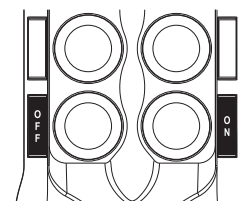
4.2.5.3 START + AUX Function

After executing the START command at transmitter start-up the same START position becomes an auxiliary function with momentary contact connected through the K25 Function output relay.



4.2.5.4 ON/OFF Pushbutton Function

Any of the two adjacent pushbuttons on the transmitter can be set to behave like a mechanical ON & OFF rocker or toggle switch. The ON output relay closes when the ON pushbutton is pressed (OFF output relay opens) and the OFF output relay closes when the OFF pushbutton is pressed (ON output relay opens).



4.2.5.5 Brake Function

When the transmitter pushbutton is released from 2nd speed up to 1st speed, both 1st and 2nd speed output relays will open for up to 1 second and then with 1st speed output relay closed thereafter.

4.2.5.6 External Warning Function

An external warning device (rotating lights, horn, etc.) can be installed to a function output relay on the receiver. The user can choose which pushbutton pair (or pairs) triggers the external warning device when pressed.

4.2.5.7 Momentary Contact

When a pushbutton is released the corresponding output relay will open or deactivate. This type of relay action usually applies to external applications such as a horn.

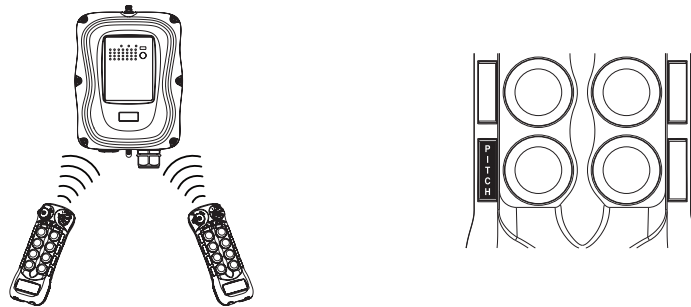
4.2.5.8 Toggled Contact

When a pushbutton is released the corresponding output relay will maintain contact closure until next time the user presses the same pushbutton again which will open the relay's contact. This type of relay action usually applies to external applications such as a warning light.

4.2.5.9 Pitch & Catch Function

This function allows one transmitter to retain control of a receiver, even if it is powered off, until the "Pitch" command is sent from the transmitter to the receiver and is locked onto and received by the receiver.

Whichever transmitter gains control of the receiver, the receiver locks on to that transmitter's channel. This lock remains in place even if the transmitter is turned off or goes out of range. This will prevent the other transmitter from being able to start the receiver. This lock remains in place until the correct transmitter sends the Pitch command allowing the receiver to go back into channel scanning.



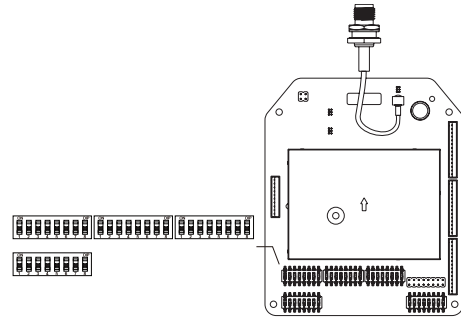
When set to "Pitch & Catch" make sure the 2nd transmitter is set to one channel higher (channel X+1) than the 1st transmitter (channel X). The receiver must be set to the same channel as the 1st transmitter (channel X) and be set to two-channel scanning per **Section 4.2.3 on page 28**. The Pitch & Catch function will not work if the unassigned channel scheme is used.

Example: *If the system is set to channel 01 then the 2nd transmitter must be set to channel 02 with identical serial number. Furthermore, on the Channel dipswitch on the decoder board, positions #7 and #8 must set to "01" for two-channel scanning (scans channel 01 and 02). Refer to **Section 4.2.6.2 on page 35** on how to set the Pitch & Catch function.*

4.2.6 Receiver Function Dipswitch Settings

Located on the receiver decoder board are dipswitches that control how the receiver responds to commands from the transmitter. Each pair of buttons has a dipswitch associated with them and is labeled on the board to identify it.

- Dipswitch S1 is for pushbuttons 1 & 2
- Dipswitch S2 is for pushbuttons 3 & 4
- Dipswitch S3 is for pushbuttons 5 & 6
- Dipswitch S4 is for pushbuttons 7 & 8



4.2.6.1 Interlocked Pushbutton Pair

Interlocked means that when a pushbutton pair are pressed simultaneously, they will cancel each other out and result in no relay output. The interlocked setting usually applies to electric motor's forward & reverse motion and On & Off switches.

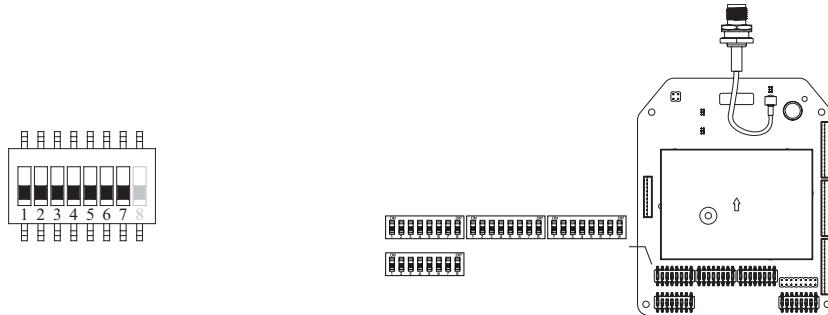
Dip Settings	Function Descriptions	# of Relays Used
00000000	Single speed only	2
00000010	4 output relays Closed/Closed relay action at 2nd speed (separate 2nd speed output relays)	4
00000100	3 output relays Closed/Closed relay action at 2nd speed (shared 2nd speed output relay)	3
00000110	4 output relays Opened/Closed relay action at 2nd speed (separate 2nd speed output relays)	4
00001000	Forward (or Reverse) + Fast output relays engaged at 2nd speed	4
00001010	Forward (or Reverse) + Slow + Fast output relays engaged at 2nd speed	4
00001100	On (right button) & Off (left button)	2
00010010	On + Start/Off + Start - For added safety, you must first rotate and hold the power switch key at START position and then press the On or Off pushbutton to activate the output relay.	2
00010100	FWD/REV toggled (latching)	2
00100000	Single speed + External warning*	2
00100010	4 output relays Closed/Closed relay action + External warning*	4
00100100	3 output relays Closed/Closed relay action + External warning*	3

Dip Settings	Function Descriptions	# of Relays Used
00100110	4 output relays Opened/Closed relay action + External warning*	4
01000010	4 output relays Closed/Closed relay action + Brake	4
01000100	3 output relays Closed/Closed relay action + Brake	3
01000110	4 output relays Opened/Closed relay action + Brake	4
01100010	4 output relays Closed/Closed relay action + Brake + External warning*	4
01100100	3 output relays Closed/Closed relay action + Brake + External warning*	3
01100110	4 output relays Opened/Closed relay action + Brake + External warning*	4

* External warning function requires installing an external warning device such as horn and lights to the K26 Function output relay.

4.2.6.2 Non-Interlocked Pushbutton Pair

The non-interlocked setting allows the receiver to activate relays when a pushbutton pair are pressed simultaneously. It usually applies to equipment's auxiliary functions such as a horn or light. Each dipswitch on the decoder board corresponds to a pushbutton pair. Only the first 7 dipswitch positions are used (counting from left to right), the 8th dipswitch position (far right) is not used.



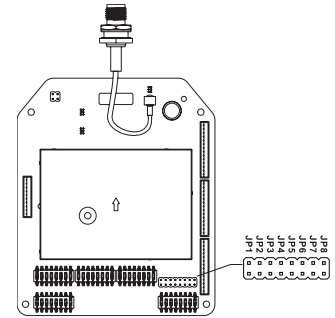
Function Code	Dip Position #1	Dip Position #2 - #4 (left button) and #5 - #7 (right button)	Function Description
A	1	000	Normal momentary contact
B	1	001	Toggled/latching contact (type A)
C	1	011	Toggled/latching contact (type B) <i>Output relay disconnects when STOP button is pressed or transmitter power is off</i>
D	1	100	Normal + Start function <i>For added safety, first rotate and hold the power switch key at the START position and then press the intended pushbutton to activate the output relay</i>
E	1	110	Pitch & Catch (type A)
F	1	101	Pitch & Catch (type B) <i>Receiver MAIN relays maintain closure during switchovers</i>
G	1	111	2 steps with Closed/Closed relay action

Example #1: Left button (set to function code A) / right button (set to function code B) → **1 000 001**

Example #2: Left button (set to function code C) / right button (set to function code D) → **1 011 100**

4.2.7 Jumper Settings

Jumper setting applies to functions such as the standard or reversed logic A/B selector sequence, transmitter inline pushbutton configurations, firmware version, system testing and remote pairing methods.



Jumper Settings		Function
JP3 (Opened)		Standard A/B selector sequence – Output relay A activated at A position, output relay B activated at B position, both relays activated at A+B position
JP3 (Inserted)		Reversed logic A/B selector sequence – Output relay B activated at A position, output relay A activated at B position, both relays deactivated at A+B position
JP4 (Opened)	JP5 (Opened)	Standard right/left pushbutton configuration
JP4 (Inserted)	JP5 (Opened)	Inline top/bottom pushbutton configuration for PB1 to PB8
JP4 (Opened)	JP5 (Inserted)	Inline top/bottom pushbutton configuration for PB1 to PB12
JP4 (Inserted)	JP5 (Inserted)	Inline top/bottom pushbutton configuration for PB1 to PB4
JP6 (Inserted)		System firmware version
JP7 (Inserted)		For system testing only (receiver MAIN relays disabled)
JP8 (Opened)		Receiver-to-transmitter remote pairing (pressing the Pairing button required)
JP8 (Inserted)		Receiver-to-transmitter remote pairing (pressing the Pairing button not required)

4.2.8 Voltage Settings

Prior to installation always check that the voltage setting is correct for your application. In each receiver are black, vertically mounted fuse holders. Fuses F1 & F2 are for the control voltage to power the receiver and all other fuses are for the control voltage feeds to the output relays.

Position 1 → 110 - 120VAC

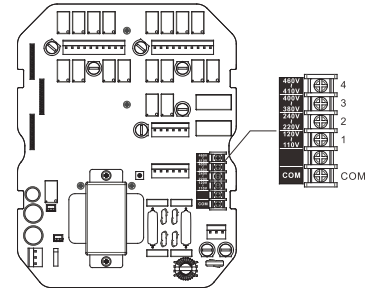
Position 2 → 220 - 240VAC or 24VAC*

Position 3 → 380 - 400VAC or 42VAC*

Position 4 → 410 - 460VAC or 48VAC* or 9 - 36VDC**

* For system equipped with 24/42/48VAC power supply

** For system equipped with 9 - 36VDC power supply



FUSE #	110 - 120VAC	220 - 240VAC	380 - 400VAC	410 - 460VAC	24VAC	42 & 48VAC	9 - 36VDC
F3 - F10	5.0A	5.0A	5.0A	5.0A	5.0A	5.0A	5.0A
F1 - F2	1.0A	1.0A	1.0A	0.5A	3.0A	2.0A	3.0A

4.2.9 Horn Installation

A horn can be easily fitted onto the receiver enclosure. When installed at the factory, the horn is wired into the K25 (FUNC 1) output relay and will function as described in **Section 4.2.5.3 on page 32**. Please contact Magnetek field service if you would like the horn to work differently.



4.2.10 Other Function Output Relays Settings

Listed below are other types of functions that can be outputted through the K25 and K26 Function output relays via the IR programmer unit. Please contact Magnetek field service for more details.

LV → Function relay closes when receiver voltage is low.

ID → Function relay works simultaneously with all motion commands.

NORMAL → START function + AUX with normal momentary output.

TOGGLE → START function + AUX with toggled/latching output.

TOG&E → START function + AUX with toggled/latching output. The relay opens when STOP button is pressed down and transmitter power off.

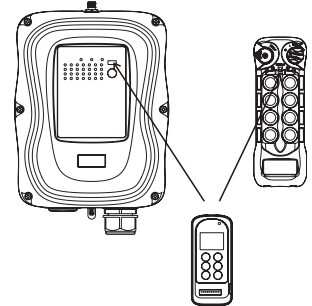
S/P → Function relay closes when START command is executed and opens only when transmitter power is turned off.

EXT → Function relay works simultaneously with the receiver MAIN relays.

TDM A+B → Function relay closes when selector switch is rotated to the A+B position and opens when rotated to A or B positions (tandem monitoring output).

HORN → Function relay closes for up to 3 seconds when START command is executed at transmitter power on and then becomes a normal momentary output thereafter.

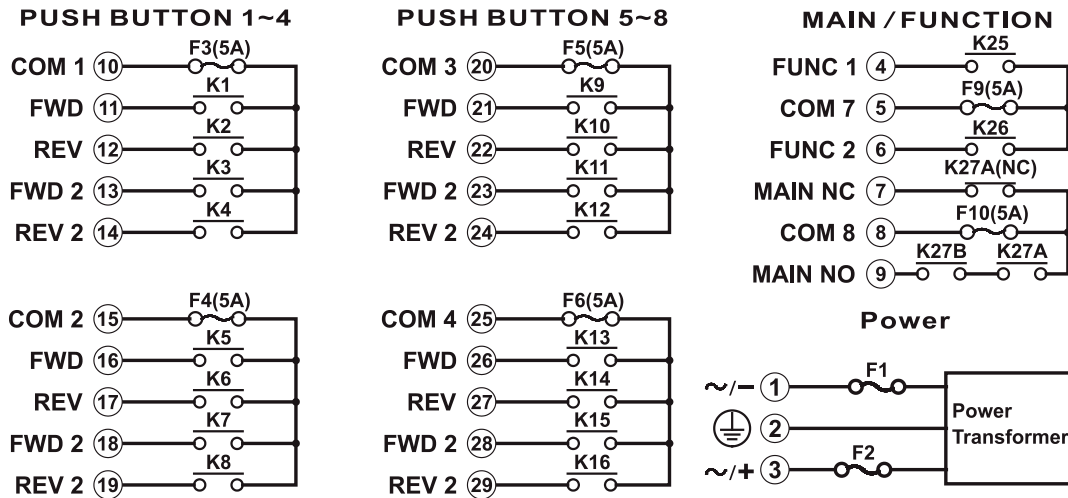
G SENSOR → Function relay closes when Zero-G sensor is triggered (receiver MAIN relays deactivated) and opens when receiver MAIN relays are reactivated.



5 Receiver Installation

5.1 Output Relay Contact Diagrams

5.1.1 Flex 8EX2 (dual speed model)



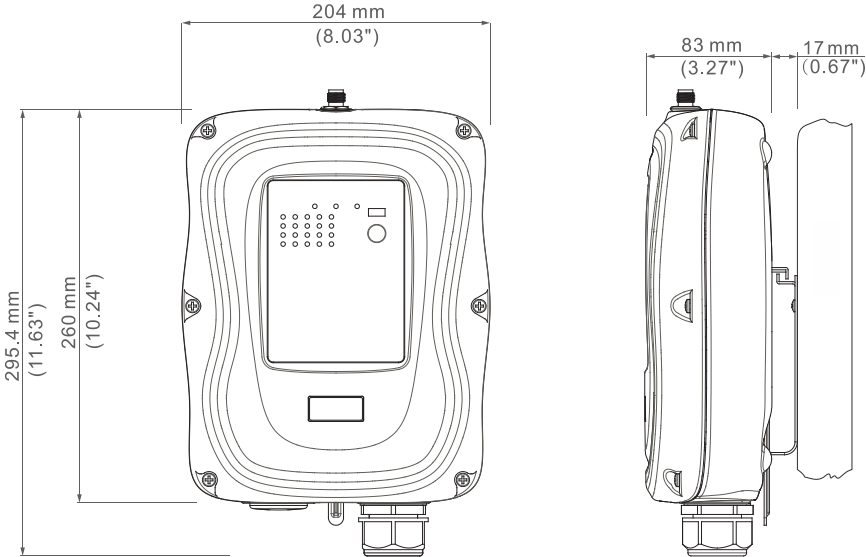
- For 9 - 36VDC power supply, wire #1 corresponds to the negative charge (-), wire #3 corresponds to the positive charge (+), and wire #2 is for GROUND.
- If PB7 (or PB8) is set to A/B pushbutton select or A/B rotary switch select function (AB models), connect output A to K13 relay (or K14) and output B to K15 relay (or K16). **See Section 4.1.12.2 on page 23 on how to set to this function.**
- Due to the possibility of voltage spikes on the contactors, suppressors are required on contactors being driven by Flex relays.

5.2 Pre-installation Precautions

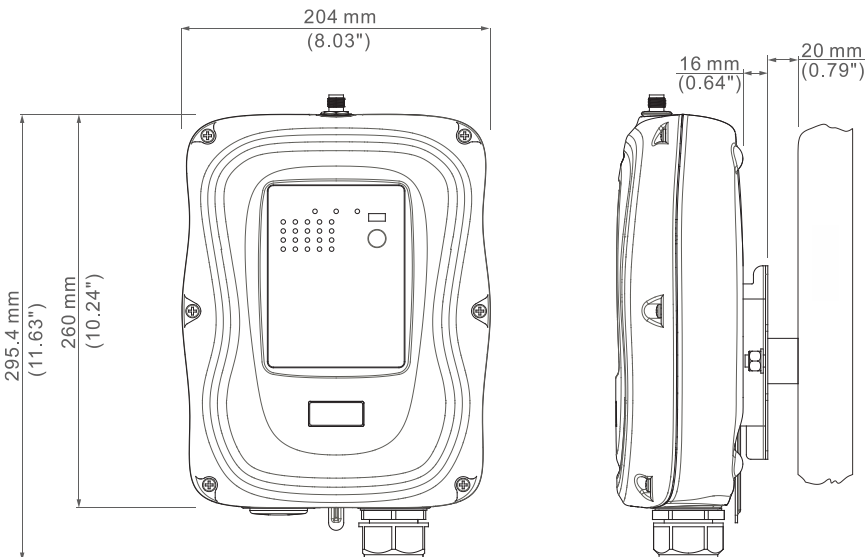
1. Make sure the transmitter and receiver have the same serial numbers and are set to the same channel.
2. Make sure the receiver is not set to the same channel as any other systems in use in the surrounding area.
3. Make sure the crane or equipment is working properly prior to installation.
4. Make sure the power source to the receiver is set correctly.
5. Switch off the main power source to the crane or equipment prior to installation.

5.3 Step-by-Step Installation

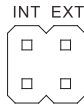
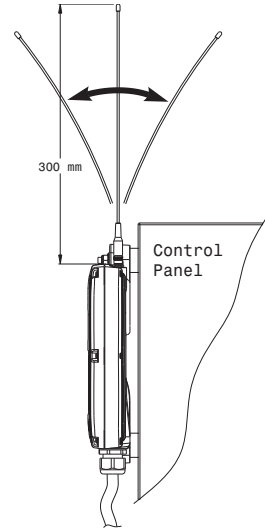
Mounting Bracket Type 1



Mounting Bracket Type 2

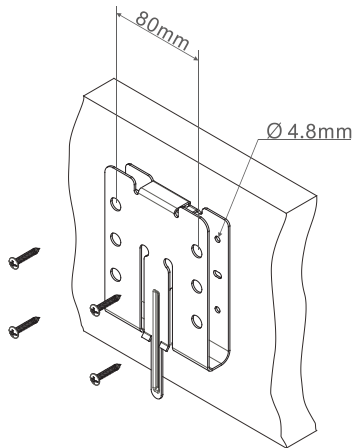


1. For best reception the location of the receiver should be visible to the operator at all time.
2. The location selected should not be exposed to high levels of electric noise. Mounting the receiver next to an unshielded variable frequency drive may cause radio interference. Always locate the receiver as far away from variable frequency drives and electric motors as possible.
3. Ensure the selected location has adequate space to accommodate the receiver. If an external antenna is used, to avoid the possibility of antenna damage always locate the receiver where the antenna is free from any obstructions.
4. When installing an external antenna make sure the MCX jack located on the decoder board inside the receiver is connected and jumper set to "EXT" position.

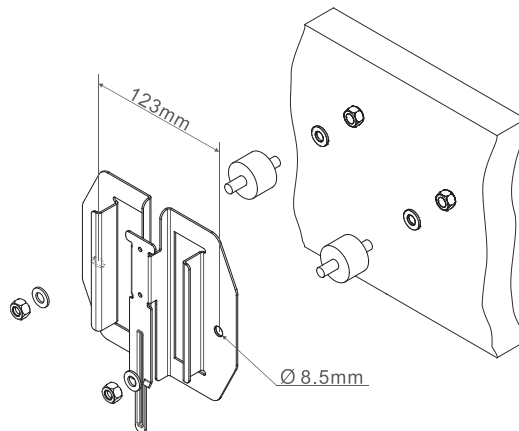


5. For better reception, make sure the receiver is in an upright position.
6. Drill four holes for mounting bracket type 1 and two holes for mounting bracket type 2 on the control panel, wall or location where the receiver is to be installed.
7. Make sure the screws, bolts or shock absorbers are tightened after installation.
8. Install suppressor on all contactors being driven by Flex relays. This is due to the possibility of voltage spike on the contractors.

Mounting Bracket Type 1



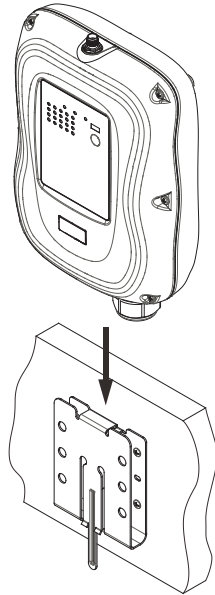
Mounting Bracket Type 2



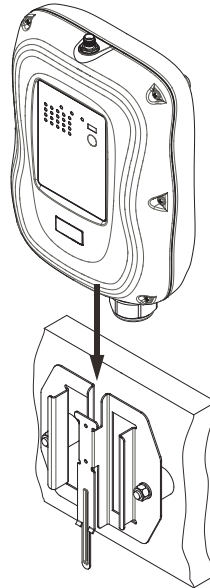
9. Slide down the receiver along the guided track to secure the receiver to the mounting bracket.
10. Remove the receiver by pressing down the bracket release and pulling the receiver upward until it clears the guided track.

Install

Mounting Bracket Type 1

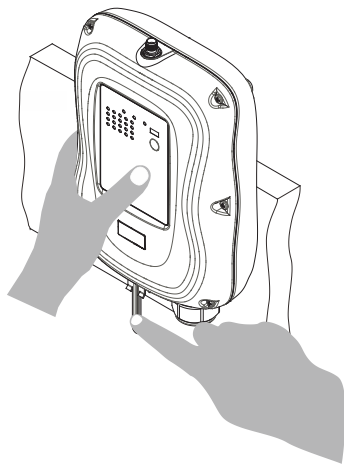


Mounting Bracket Type 2

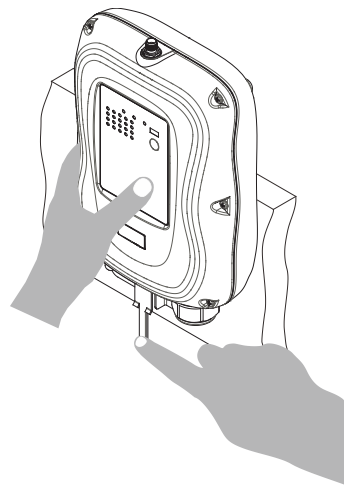


Remove

Mounting Bracket Type 1



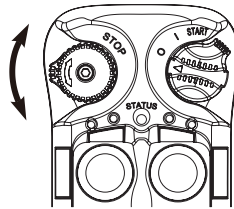
Mounting Bracket Type 2



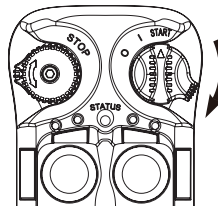
6 Operating Procedures

6.1 General Operation

1. Reset the STOP button located on the top left-hand corner of the transmitter by rotating it clockwise or counterclockwise; the button will pop up. Turn on the transmitter power by inserting the power switch key and rotating to the ON (I) position.



2. After turning on the transmitter power, check the Status LED on the transmitter for any sign of system irregularities (*see Section 6.6.1 Transmitter Status Indications on page 47*). If the transmitter is in good working order the Status LED will display solid green for up to 2 seconds at power on (no faults detected).
3. Rotate the power switch key further to the START position and hold it there for up to 2 seconds (Status LED solid green). When the receiver MAIN relays are activated the Status LED will change from solid green to solid orange (system on). The power switch key will retract back to the ON (I) position when released. The same START position becomes an auxiliary function thereafter (*see Section 4.2.5.3 START + AUX Function on page 32*). Pressing any pushbutton before executing the START command at system start-up will result in no signals transmitted (Status LED blinks orange).



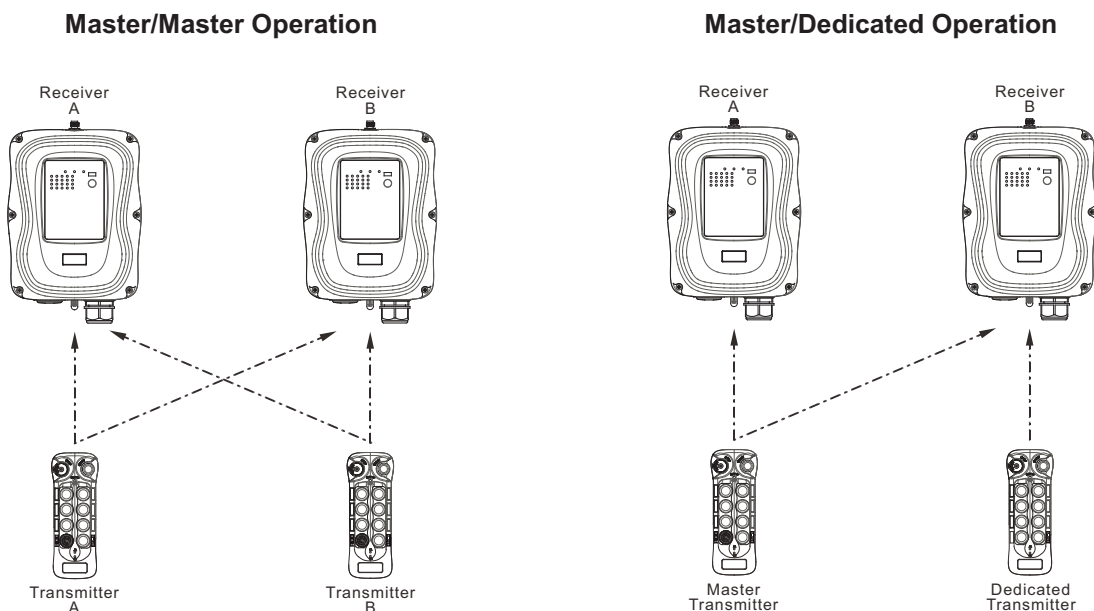
4. Press any pushbutton on the transmitter to begin operation. During transmitter inactivity (pushbuttons not pressed), the transmitter will automatically switch to standby mode, with an orange blink on the Status LED at 4-second intervals. Always turn off the transmitter power when not in use to save battery power.
5. In case of an emergency, press down the STOP button to disconnect the receiver MAIN relays (Status LED blinks 3 reds and then shuts off). To resume operation, rotate the STOP button clockwise or counterclockwise; the button will pop up. Then execute the START command to reconnect the receiver MAIN relays. For safety, executing the START command is required every time the transmitter is turned on or after every STOP button reset.

NOTE: Pushing the STOP button does not turn off the transmitter power and it will continue to draw battery power

6. After 5 minutes of inactivity (pushbutton not pressed) the receiver MAIN relays are temporarily disconnected (**see Section 4.1.7 Transmitter Inactivity Timer Settings on page 20**). The Status LED blinks 3 reds and then shuts off. Execute the START command to resume operation (**see Section 4.1.9 Transmitter Start Function Settings on page 20**).
7. Turn off the transmitter power by rotating the power switch key counterclockwise to the OFF (0) position; it will disconnect the transmitter power and the receiver MAIN relays altogether. Turn it further counterclockwise to release the key.

6.2 Tandem System Operation

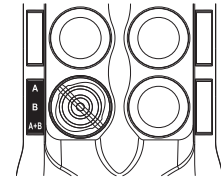
1. Before initial start-up, rotate the selector switch on one of the master transmitters to either the A, B, or A+B position. Then, execute the START command to activate the MAIN relays in receiver A, receiver B, or both receivers (depending on the selector switch position).
2. Once the MAIN relays are active in both receivers, rotate the selector switch to either the A, B, or A+B position for independent or simultaneous operation. The A/B output relays (K14/K16) will also activate based on the selector switch position.
 - Selector switch is on A → The A relay (K14) will be active on receiver A.
 - Selector switch is on B → The B relay (K16) will be active on receiver B.
 - Selector switch is on A+B → The A relay (K14) will be active on receiver A and the B relay (K16) will be active on receiver B.
3. For safety, always check if the selector switch is correctly positioned for the intended receiver or receivers prior to turning on the transmitter power. After the MAIN relays are active in both receivers, turning the master transmitter off or pushing the STOP button will disconnect the MAIN relays in both receivers (regardless of the selector switch position).



6.3 A/B Rotary Select Operation (AB Systems Only)

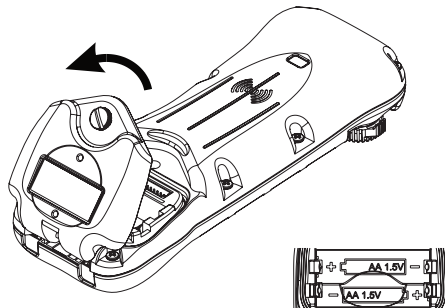
Standard – Rotating to A position activates output relay A, rotating to B position activates output relay B, rotating to A+B position activates both output relays.

Reversed logic – Rotating to A position activates output relay B, rotating to B position activates output relay A, rotating to A+B position deactivates both output relays. **See Section 4.2.7 on page 37** for JP3 jumper setting.



6.4 Changing Batteries

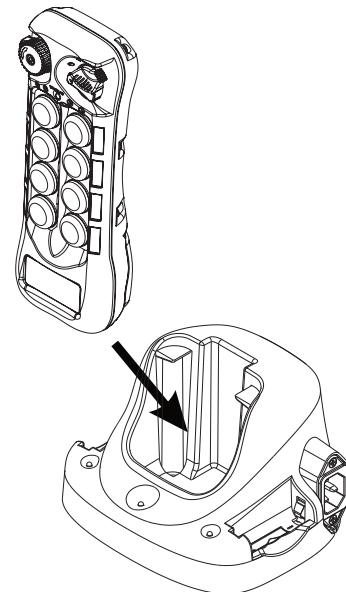
Change transmitter batteries (“AA” alkaline battery x 2) by unscrewing the battery cover located on the backside of the transmitter. During battery installation make sure the batteries are installed correctly, with “+” to “+” charge and “-” to “-” charge. Also make sure the screw is tightened after battery installation to avoid water, moisture, dirt, grease, and other liquid penetration.



6.5 Battery Charging

The transmitter is designed to accept any off-the-shelf NiMH rechargeable batteries. When charging both transmitter and individual batteries at the same time the priority always goes to the transmitter charging. The individual battery charging begins only after the transmitter charging is completed. Depending on the battery capacity the average charging time is approximately 3 hours from completely drained to fully charged. Solid red on the LED represents charging in progress, solid green represents batteries fully charged, and LED off represents no batteries detected.

NOTE: Do not use any rechargeable lithium ion batteries, as they will damage both the transmitter and the charging station.



6.6 System Status Light Indications

6.6.1 Transmitter Status Indications

Type	Display Type	Indication
1	Solid red	Voltage below 1.8V at initial power on or during operation
2	3 red blinks and then off	Voltage below 1.75V during operation (receiver MAIN relays shut off)
3	1 red blink followed by a 2-second pause	Voltage below 1.85V during operation (changing batteries is recommended)
4A	2 red blinks followed by a 2-second pause	Defective or jammed pushbutton detected at initial power on
4B	No light displayed	When defective pushbutton condition occurs (2 red blinks, type 4A above), find out which pushbutton is defective by pressing all of them one at a time. If the pushbutton is in good working order when pressed, the Status LED is off. If the Status LED maintained 2 red blinks then the pushbutton is defective.
5	4 red blinks followed by a 2-second pause	Transmitter is unable to lock onto the assigned channel
6	Solid green for up to 2 seconds	Transmitter power on with no faults detected
7	Blinking green	Transmission in progress
8	Blinking orange	Pressing any pushbutton prior to executing the START command at power on
9	2 orange blinks followed by a 2-second pause	Receiver MAIN relays jammed or defective
10	3 orange blinks followed by a 2-second pause	Decoding processors defective
11	3 slow red blinks	STOP button pressed down
12	Solid orange when the power switch key is rotated and hold at the START position at initial system start-up	Receiver MAIN relays activated

6.6.2 Receiver Status Indications

Type	Display Type (Green & Red)	Indication
1	Fast green blinks	Decoding in process
2	Slow green blinks	Decoding on standby
3	2 red blinks	Receiver MAIN relays jammed or defective
4	3 red blinks	Decoding processors defective
5	4 red blinks	Receiving RF board defective
6	Fast red blinks	Incorrect transmitter serial number
7	Solid red	Receiver low voltage
8	No light displayed	Decoding processors defective
9	3 slow red blinks followed by slow green blinks	STOP button pressed down

6.6.3 Receiver Power Indications

Type	Display Type (Red)	Indication
1	On	Power to receiver
2	Off	No power to receiver

6.6.4 Receiver COM Indications

Type	Display Type (Red)	Indication
1	On	Power to relay board
2	Off	No power to relay board

7 General Specifications

Frequency Range:	433.050MHz - 439.600MHz
Number of Channels:	124 channels
Channel Spacing:	50 KHz
Modulation:	Digital Frequency Modulation based on Manchester Code, 20-bit address, 32-bit CRC and Hamming Code.
Encoder & Decoder:	Microprocessor-controlled
Transmitting Range:	>100 meters (300 feet)
Hamming Distance:	>6
Frequency Control:	Synthesized PLL
Receiver Type:	Frequency Auto Scanning
Receiver Sensitivity:	-116 dBm
Spurious Emission:	-50 dB
Antenna Impedance:	50 ohms
Responding Time:	40 mS (average)
Transmitting Power:	1.0 mW
Enclosure Type:	NEMA4
Enclosure Rating:	IP66
Output Contact Rating:	250V @ 8 Amps
Transmitter Operating Voltage:	3.0VDC
Receiver Power Consumption:	22VA (max)
Available Receiver Voltages:	9 - 36VDC 24VAC 42VAC 48VAC 110 - 120VAC 220 - 240VAC 380 - 400VAC 410 - 460VAC
Operating Temperature:	-25°C - 75°C / -13°F - 167°F
Transmitter Dimension:	198 mm (L) x 70 mm (W) x 44 mm (H)
Receiver Dimension:	260 mm (L) x 204 mm (W) x 83 mm (H)
Transmitter Weight:	292 g / 10.3 oz (include batteries)
Receiver Weight:	2.75 kg / 6.1 lb (include output cable)

Distributed by Ergonomic Partners
Sales@ErgonomicPartners.com
www.ErgonomicPartners.com
Tel: (314) 884-8884